



GRAZIANO™

Shifting Solutions

A History of Success **Beyond AG Markets**



A History of Success **Beyond AG Markets**

Application

Light-, medium-, and heavy-duty trucks and construction machinery transmissions.

Product

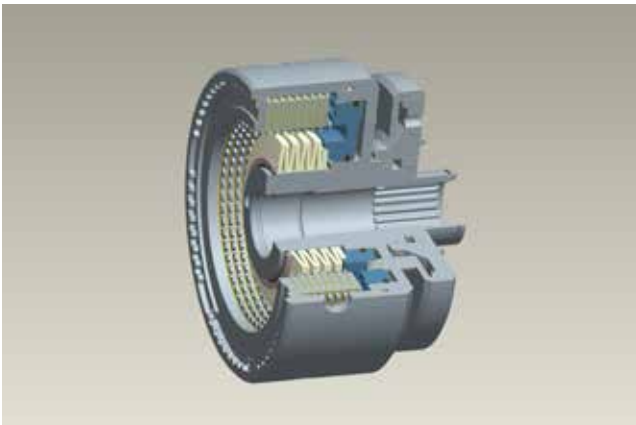
New generation synchronizers family setting new standards for fuel efficiency and ease of shifting.

Main Features

Fast, smooth, reliable shift in all operating conditions, long life design (up to 1,500,000 shifts), high torque capacity (up to 27.000 Nm), reduced shifting time, robustness, and ease of assembly.

Range

Cone sizes from 90 to 184 mm, single, double, and triple cone design. Brass, sintered bronze, molybdenum, and carbon available.



Dana.com/OH

Application Policy

Capacity ratings, features, and specifications vary depending upon the model and type of service. Application approvals must be obtained from Dana; contact your representative for application approval. We reserve the right to change or modify our product specifications, configurations, or dimensions at any time without notice.



GRAZIANO™

Shifting Solutions